

ECOMATIC JD 4-250 G10 MVM01 V04 - Code 10045469



Construction features

Weight: **780 kg / 1,720 lb**

High resistance to water containing sand, mud with solids in suspension:

- Casing in cast iron and impeller in ductile iron
- Mechanical seal in silicon carbide-nitrile rubber, grease lubricated
- Rubber lined cast iron front and rear wear plates

Lubricated vacuum pump with oil recirculation system

Vacuum pump nominal capacity: 75 m³/h / 2,650 ft³/h

Two vane open impeller with solids handling up to 50 mm / 2"

Fuel tank: 130 liters / 34 USG

Trailer with tractor wheels

Steel lifting bar, tow bar, folding foot, battery, muffler guard.

DN 100 / 4" ports

Diesel motor - VM SUN 2105E2

Displacement: 1992 cm³ / 122 in³

Power: 22 kW - 30 HP (1800 RPM - ISO 3046)

Starting: electric start (wet charged battery included)

Accessories

Couplings

- Galvanized male spherical couplings (standard equipment)

Suction pipes

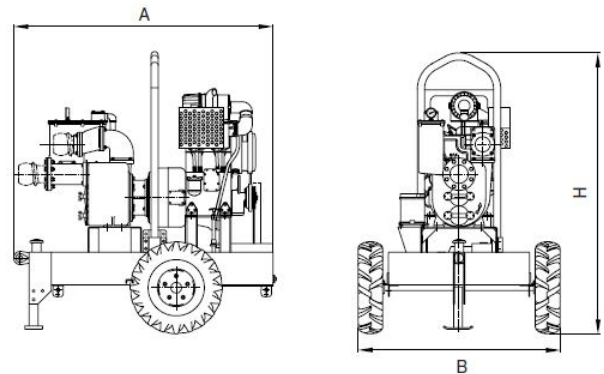
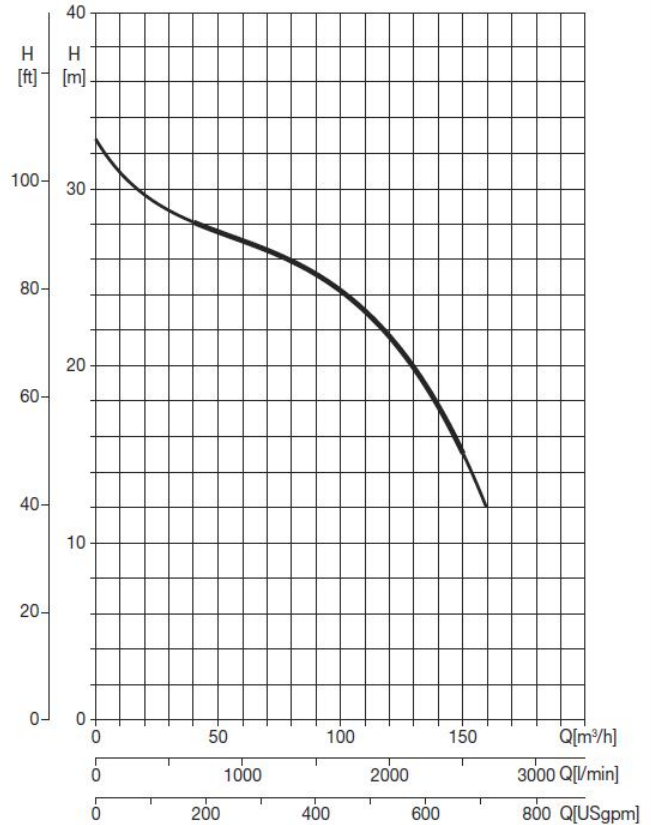
- "B" type flexible hose in rubber/canvas with steel spiral - 6 m / 20 ft (standard length)

Discharge hoses

- "H" type flat hose - 10 m / 33 ft (standard length)

Elbows

- 90° elbow



A = Length 175 cm / 69"
B = Width 137 cm / 54"
H = Height 190 cm / 75"