

4"E

VACUUM-PRIME UNIT S 4"E/ J4-250W TWGMC/N75



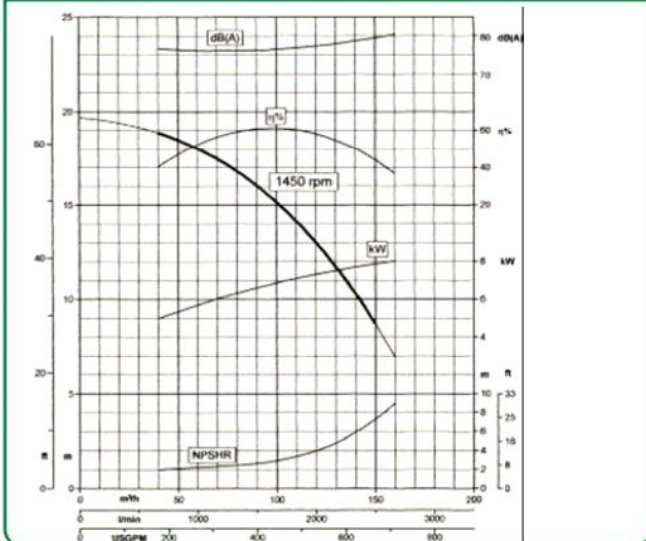
GNS
GRUNTO
NUSAUSINIMO
SISTEMOS



Features

- Automatic dry priming with vacuum pump
- Robust construction with cast iron separator
- Oil-lubricated vacuum pump with oil recovery system
- Self-priming water pump
- Heavy duty two-wheeled site trailer with lifting hook and articulated tow bar

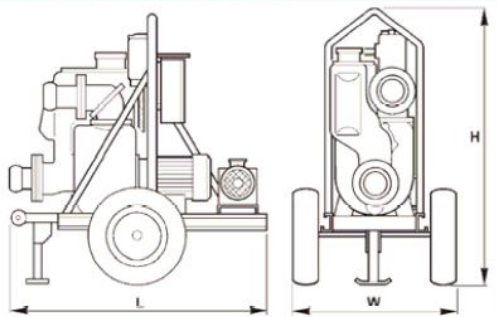
Performance



Specifications

- Max. water capacity: 150 m³/h
- Max. head.: 20 m
- Speed: 1450 RPM
- Size of solids handled: 45 mm (3 blade impeller)
- Cast iron construction
- Rubber faced wear plates
- Silicon carbide mechanical seal with automatic lubricator
- Rated vacuum pump capacity: 75 m³/h
- Pump electric motor: 7.5 kW
- Control panel to CE standards

Overall dimensions - Weight



L	W	H	Weight
1740mm	960mm	1600mm	440kg

Applications

- Wellpoint dewatering systems
- Horizontal drainage with drainage hoses
- Construction site dewatering
- Sewage by-pass
- Quarries
- Sludge and slurry