

6"E

VACUUM-PRIME UNIT S 6"E/ J6-250W TWGMC/N75



GNS

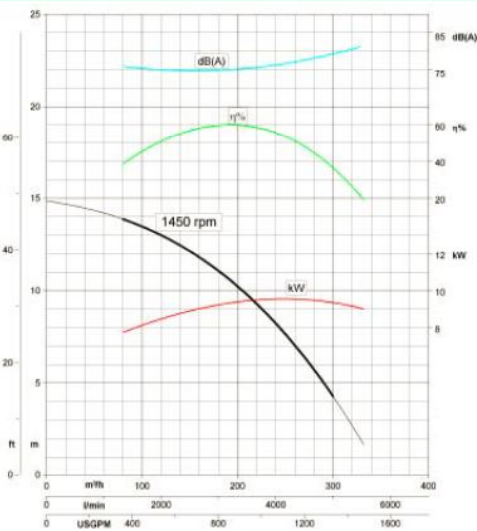
GRUNTO
NUSAUSINIMO
SISTEMOS



Features

- Automatic dry priming with vacuum pump
- Robust construction with cast iron separator
- Oil-lubricated vacuum pump with oil recovery system
- Self-priming water pump
- Heavy duty two-wheeled site trailer with lifting hook and articulated tow bar

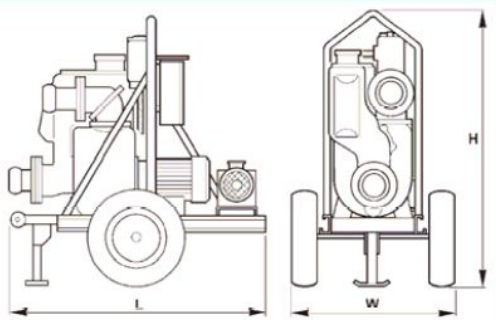
Performance



Specifications

- Max. water capacity: 300 m³/h
- Max. head.: 15 m
- Speed: 1450 RPM
- Size of solids handled: 45 mm (3 blade impeller)
- Cast iron construction
- Rubber faced wear plates
- Silicon carbide mechanical seal with automatic lubricator
- Rated vacuum pump capacity: 75 m³/h
- Pump electric motor: 11 kW
- Control panel to CE standards

Overall dimensions - Weight



L	W	H	Weight
1730mm	990mm	1600mm	570kg

Applications

- Wellpoint dewatering systems
- Horizontal drainage with drainage hoses
- Construction site dewatering
- Sewage by-pass
- Quarries
- Sludge and slurry