

6"D

VACUUM-PRIME UNIT S 6"D/ J6-250TWGMVM/N75



GNS

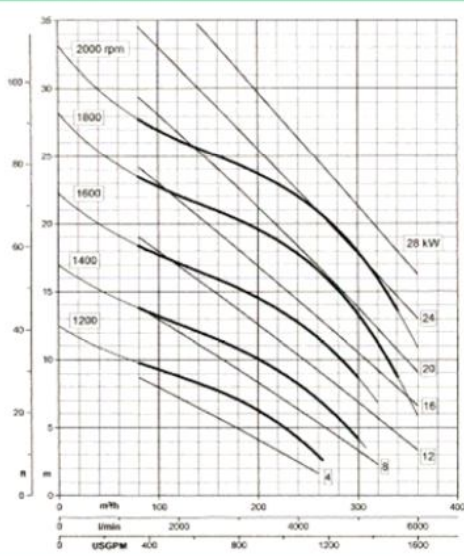
GRUNTO
NUSAUSINIMO
SISTEMOS



Features

- Automatic dry priming with vacuum pump
- Robust construction with cast iron separator
- Oil-lubricated vacuum pump with oil recovery system
- Self-priming water pump
- Fuel tank for over 24 hours operation
- Heavy duty two-wheeled site trailer with lifting hook and articulated tow bar

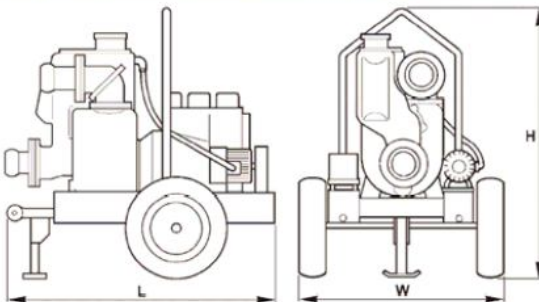
Performance



Specifications

- Max. water capacity: 340 m³/h
- Max. head.: 28 m
- Speed: 1800 RPM
- Size of solids handled: 76 mm (2 blade impeller)
- Cast iron construction
- Rubber faced wear plates
- Silicon carbide mechanical seal with automatic lubricator
- Rated vacuum pump capacity: 75 m³/h
- VM SUN 2105E2 diesel engine, continuous power output: 22 kW at 1800 RPM
- Electric start

Overall dimensions - Weight



L	W	H	Weight
1730mm	1360mm	1550mm	910kg

Applications

- Wellpoint dewatering systems
- Horizontal drainage with drainage hoses
- Construction site dewatering
- Sewage by-pass
- Quarries
- Sludge and slurry